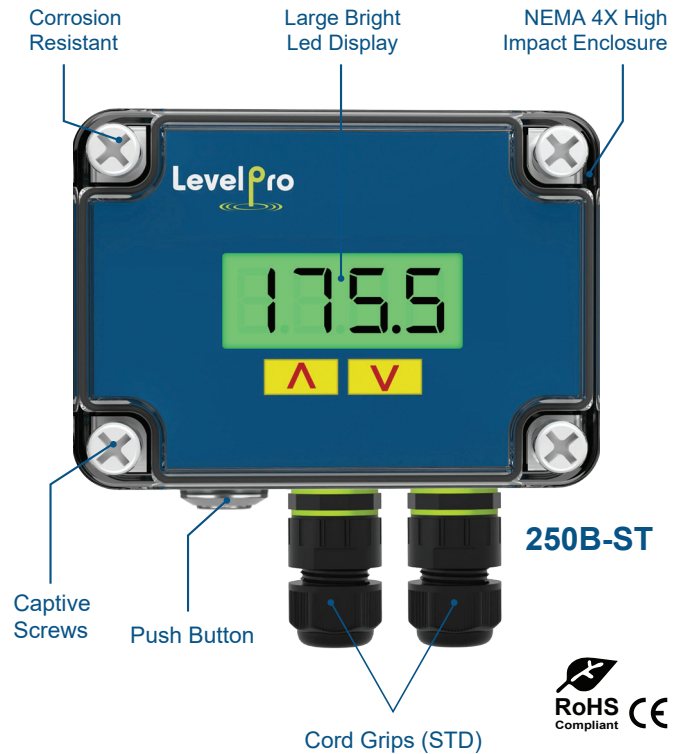


- ✔ Super Bright LED Digits
- ✔ NEMA 4X Enclosure
- ✔ Security Protection



250B-SR

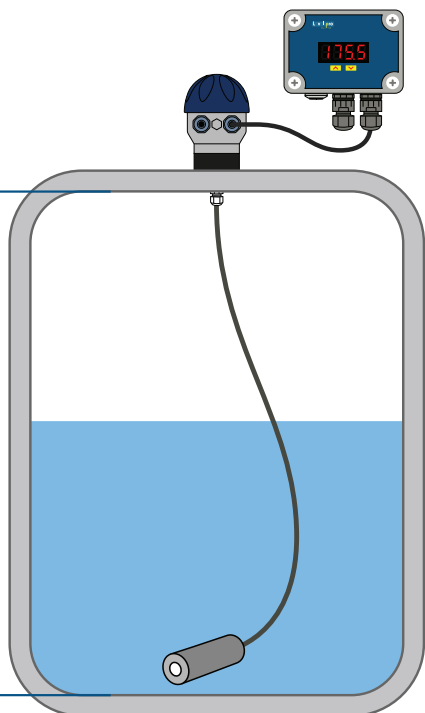


250B-ST



20mA Full

4mA Empty



FEATURES

- ✔ Battery Powered
- ✔ Momentary or Adjustable Relay Timer *
- ✔ NEMA 4X Enclosure
- ✔ LED Display
- ✔ All Plastic - Corrosion Resistant
- ✔ All Cord Grips Included
- ✔ Simple Programming

SPECIFICATIONS

Power Supply	2600mAh Battery Powered
Display	LED 4 x 20 mm High Red
Displayed Values	-999 - +9999
Input	Current : 4-20mA
Accuracy	0.1% @ 25°C One Digit
Stability	50 ppm °C
Operating Temp	-40 - 158°F (-40 - 70°C)
Storage Temp	-40 - 158°F (-40 - 70°C)
Protection Class	NEMA 4X IP67
Case	Wall Mounted Material - Polycarbonate
Dimensions (WxNxH)	110 x 105 x 67 mm

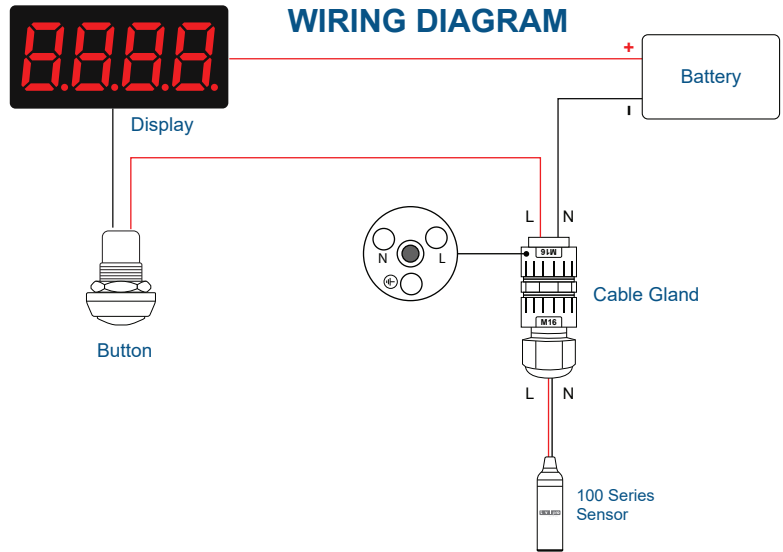
* Battery Time Reduction

250B-SO (Sensor Only)



ORDERING

Part Number	Input	Battery Life
ITC250B-SO-4	4-20mA	4000 mA h
ITC250B-SO-8	4-20mA	8000 mA h

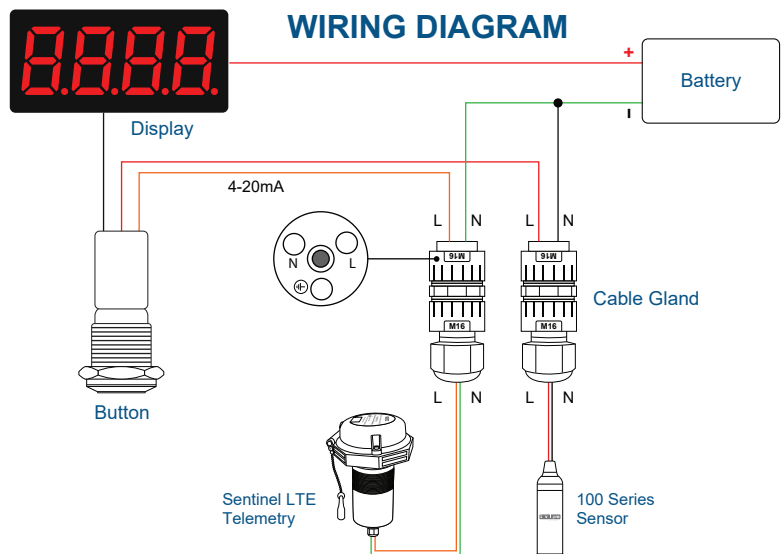


250B-ST (Sensor + Telemetry)



ORDERING

Part Number	Input	Battery Life
ITC250B-ST-4	4-20mA	4000 mA h
ITC250B-ST-8	4-20mA	8000 mA h

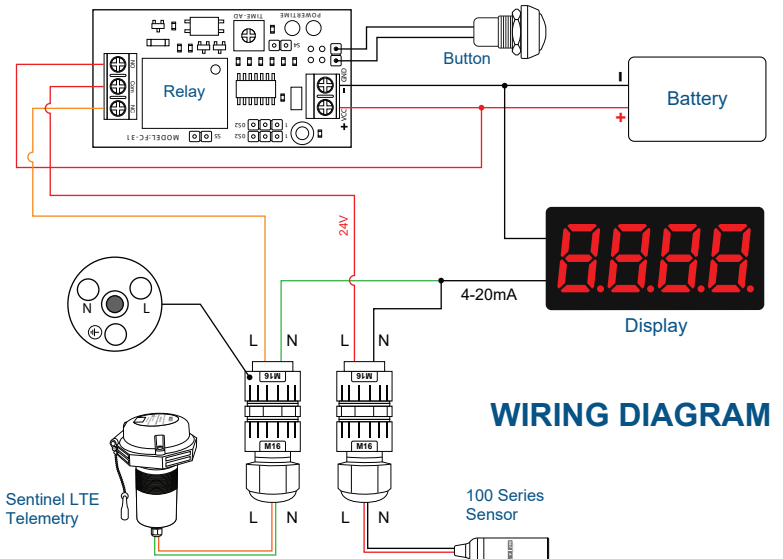


250B-SR (Sensor + Relay)

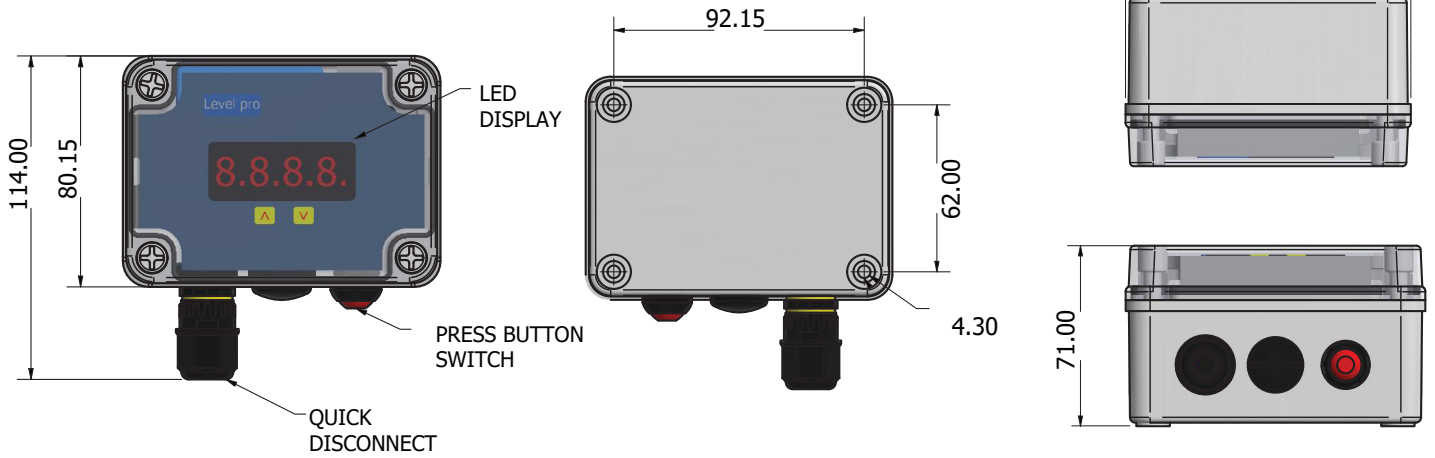


ORDERING

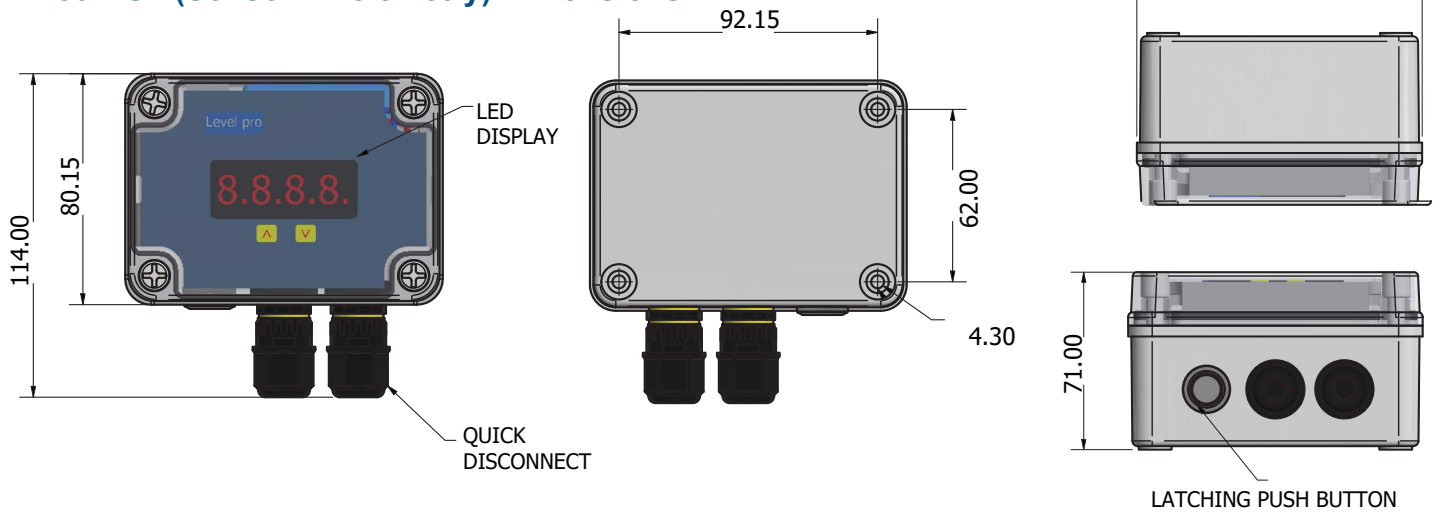
Part Number	Input	Battery Life
ITC250B-SR-4	4-20mA	4000 mA h
ITC250B-SR-8	4-20mA	8000 mA h



250B-SO (Sensor Only) Dimensions



250B-ST (Sensor + Telemetry) Dimensions



250B-SR (Sensor + Relay) Dimensions